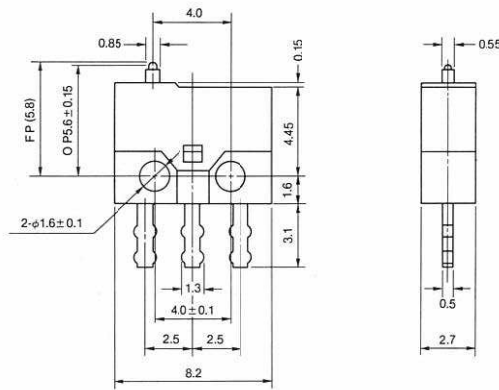


TORX MICRO SWITCH "Q"

Push Button Type

TXQ□-S0□□

- | | |
|---|---|
| 1 | 0 |
| 2 | 1 |
| | 2 |

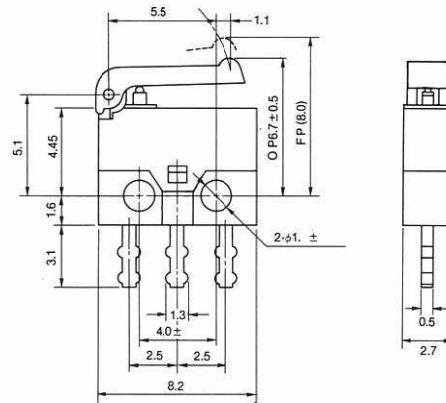


Operating Characteristics		General Type	Low Capacity Type
Operating Force	MAX (g)		90
Release Force	MIN (g)		8
Pre-travel	MAX (mm)		0.35
Over-travel	MIN (mm)		0.1
Movement Differential	MAX (mm)		0.07
Operating Position	(mm)		5.6±0.15

Lever Type

TXQ□-S1□□

- | | |
|---|---|
| 1 | 0 |
| 2 | 1 |
| | 2 |

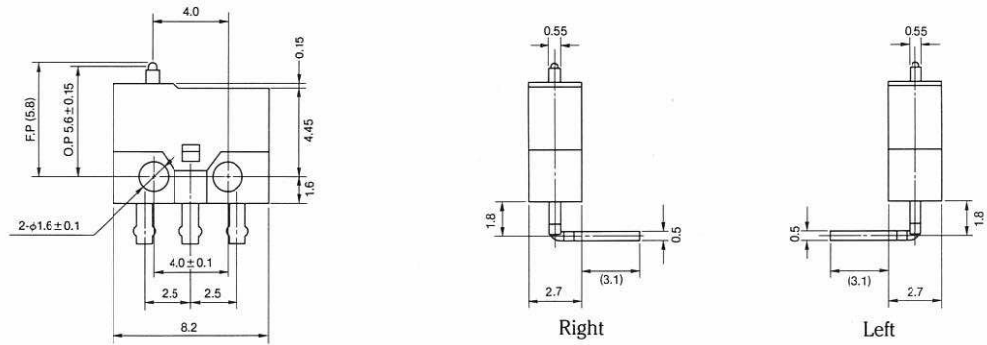


Operating Characteristics		General Type	Low Capacity Type
Operating Force	MAX (g)		50
Release Force	MIN (g)		4
Pre-travel	MAX (mm)		1.3
Over-travel	MIN (mm)		0.3
Movement Differential	MAX (mm)		0.6
Operating Position	(mm)		6.7±0.5

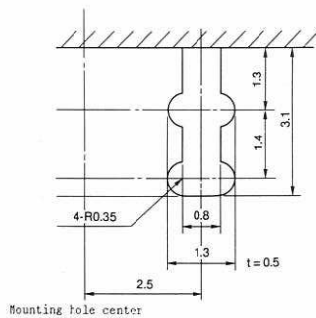
Angled Terminals Type

TXQ□-S□□□

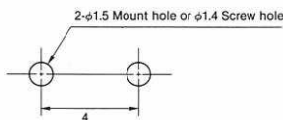
- | | |
|---|----|
| 1 | 01 |
| 2 | 12 |



Printed-Circuit Board Machining Dimensions



Mount Hole Machining Dimensions



Separator Machining Dwg.

