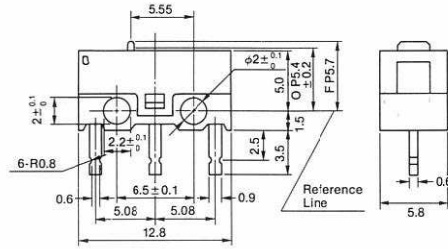


TORX MICRO SWITCH "J"

Push Button Type

TXJ □-□0□□

- 1 S 0
- 2 L 1
- 3 2

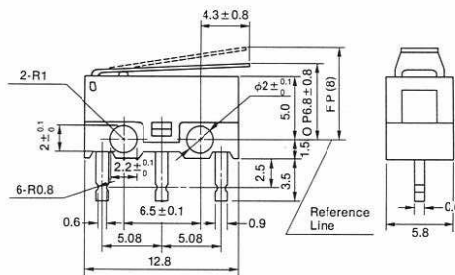


| Operating Characteristics | High Capacity Type | General Type | Low Capacity Type |
|--------------------------------|--------------------|--------------|-------------------|
| Operating Force MAX (g) | 200 | 150 | 75 |
| Release Force MIN (g) | 30 | 20 | 10 |
| Pre-travel MAX (mm) | 0.5 | | |
| Over-travel MIN (mm) | 0.2 | | |
| Movement Differential MAX (mm) | 0.1 | | |
| Operating Position (mm) | 5.4±0.2 | | |

Lever Type

TXJ □-□1□□

- 1 S 0
- 2 L 1
- 3 2

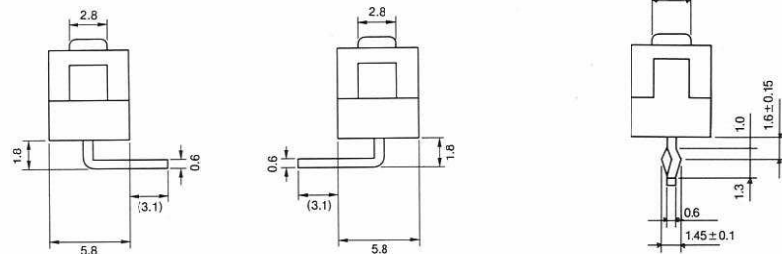


| Operating Characteristics | High Capacity Type | General Type | Low Capacity Type |
|--------------------------------|--------------------|--------------|-------------------|
| Operating Force MAX (g) | 75 | 50 | 25 |
| Release Force MIN (g) | 10 | 5 | 2.5 |
| Pre-travel MAX (mm) | 1.8 | | |
| Over-travel MIN (mm) | 0.55 | | |
| Movement Differential MAX (mm) | 0.5 | | |
| Operating Position (mm) | 6.8±0.8 | | |

Angled And Fixed Terminals Type

TXJ □-□□□

- 1 S 0 1
- 2 L 1 2
- 3 3

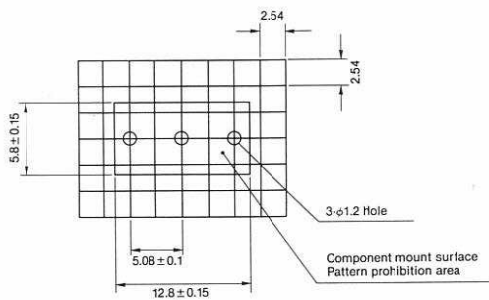


Right

Left

F Pin type

Printed-Circuit Board Machining Dimensions



Mount Hole Machining Dimensions

