

『J Type Micro Switch Standard』

The terminals and springs of our Micro Switches, originated from our progressive stamping technology, have contacts of silver alloy with gold-plating.

We are the only manufacturer which handles the processes from material arrangements to progressive stamping to injection molding and to automated assembly in Japan.

Our Micro Switches provide a wide variety of variations based on the needs of customers. They have a wide range of applications, including automotive parts for domestic and foreign cars, communication devices, solenoid valves and medical devices.

Rating

Contact Type	OF Value (Max)	Rating
1 Standard Type	150 g	3A, 125VAC
		2A, 30VDC

We have resistered for
Metoree
 an industrial product search service.

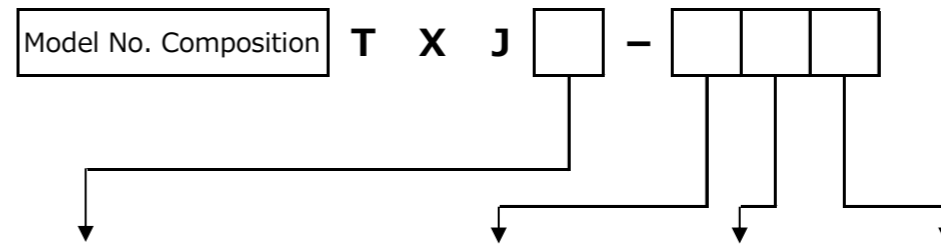


Please contact us

+81-76-455-0680

Japan Torx

Search

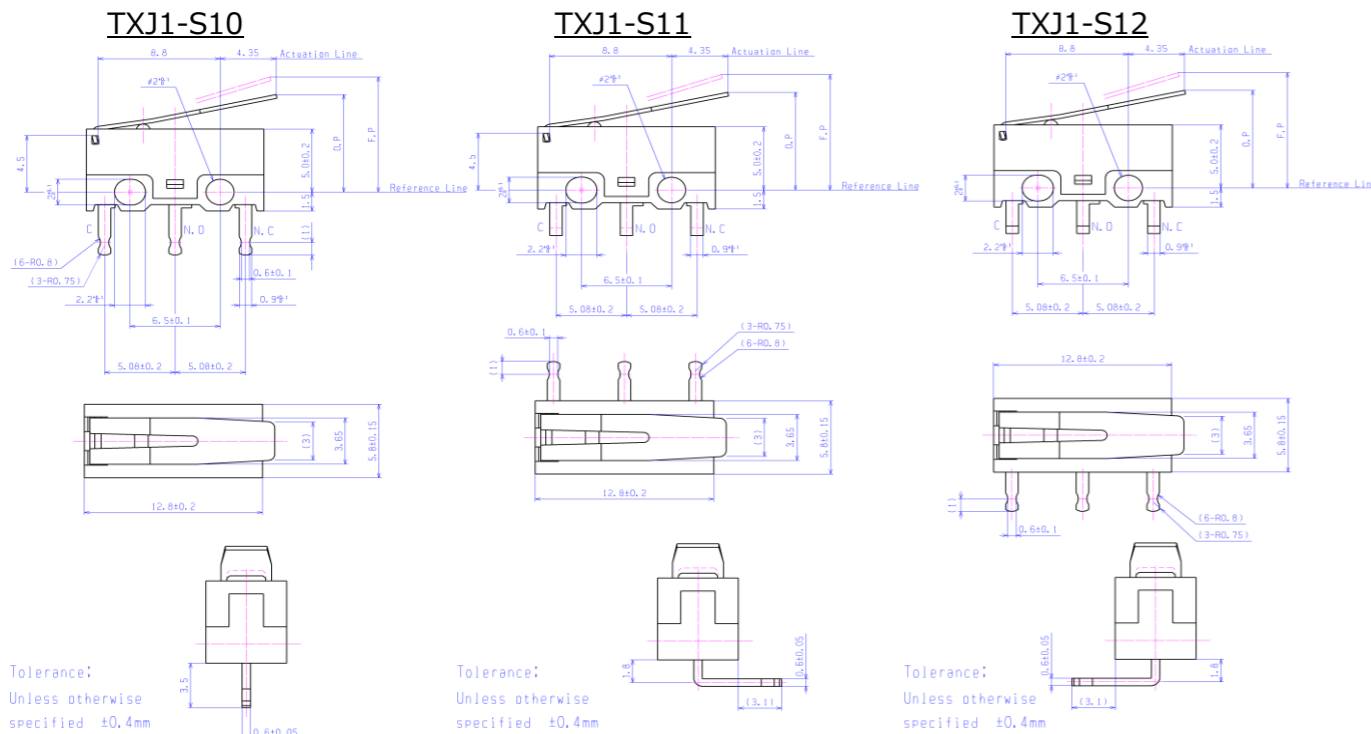


TXJ Type	Model No.	OF Value (Max)		Actuator		Terminal Shape		
		L		0	1	0	1	2
		Standard	Standard	Without Lever	With Lever	Straight PCB	Right-angled PCB	Left-angled PCB
1 Standard Type	TXJ 1-S 0 0	●		●		●		
	TXJ 1-S 0 1	●		●			●	
	TXJ 1-S 0 2	●		●				●
	TXJ 1-S 1 0		●		●	●		
	TXJ 1-S 1 1		●		●		●	
	TXJ 1-S 1 2		●		●			●

Japan Torx Co., Ltd.

1-6 Yasuuchi Yatsuo-machi Toyama-shi 939-2366 Japan

Phone: +81-76-455-0680 / Fax: +81-76-455-0697



Note: We can produce without lever type.

Main Spec.

Item	Performance Data
Mechanical Life (Cycle)	Over 200,000 (switching frequency: 60 cycles/min., O.T. 100%)
Electrical Life (Cycle at Rating)	Over 10,000 (switching frequency: 20 cycles/min., O.T. 100%)
Insulation Resistance	Over 100 MΩ (insulation resistance tester: 500 VDC)
Withstand Voltage	Between terminals of the same polarity: 1,000 VAC, 50/60 Hz, 1 minute
	Between a terminal and a discharged part: 1,500 VAC, 50/60 Hz, 1 minute
	Between a charged part and a grounded part: 1,500 VAC, 50/60 Hz, 1 minute
Vibration Resistance	Complex amplitude 1.5 mm, 10 to 55 Hz (switching: under 1 ms)
Shock Resistance	50 G (switching: under 1 ms)
Contact Resistance	Under 15 mΩ (initial value)
Operating Speed Limit (no load)	0.1 mm/s-0.5 m/s (without lever type)
Maximum Switching Frequency	120 cycles/min., mechanical
Operating Temperature/Humidity	from -25°C to +80°C (without condensation) / Less than RH 85%